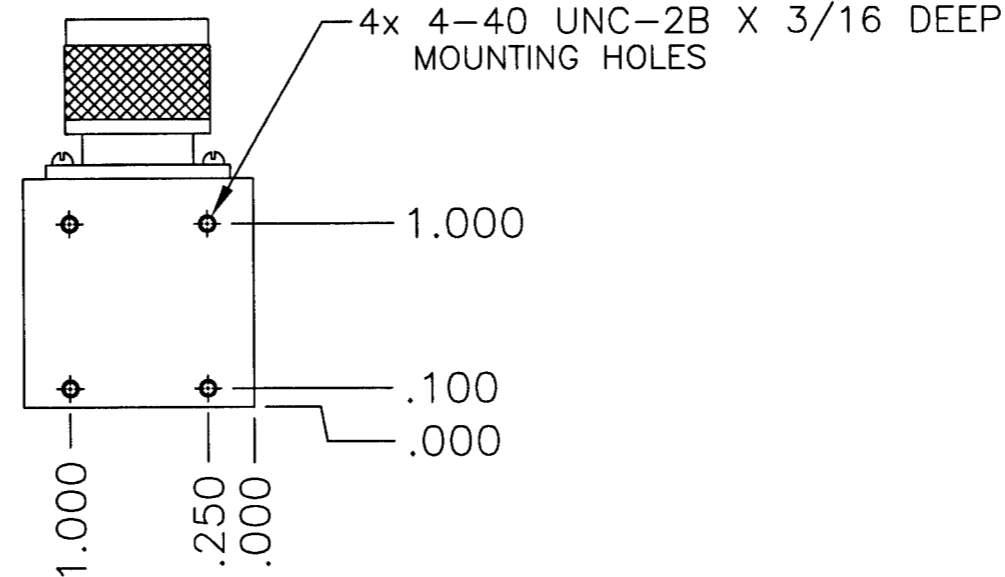
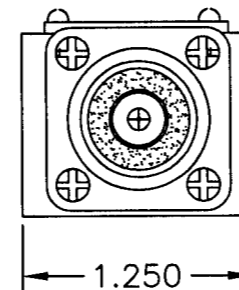
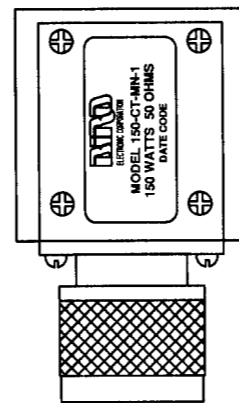
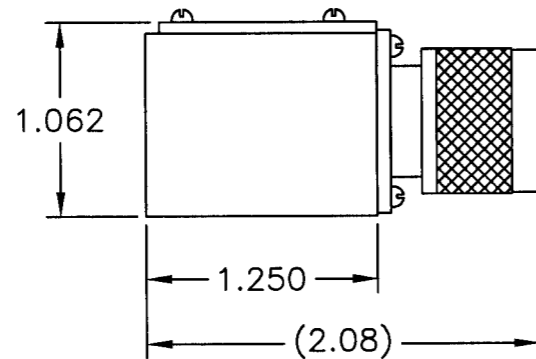


REV A
 SHEET 1
 DWG NO. 150-CT-MN-1

SPECIFICATIONS:

IMPEDANCE: 50 OHMS NOMINAL
 FREQUENCY RANGE: DC TO 2.4GHz
 VSWR: 1.10:1 DC TO 1 GHz
 1.25:1 1 GHz TO 2.4GHz
 POWER RATING: 150 WATTS MAX.
 - WHEN MOUNTED TO A HEAT SINK
 CAPABLE OF MAINTAINING A CASE
 TEMPERATURE OF 100°C OR LESS
 HOUSING: ALUMINUM, TRI-ALLOY PLATED
 CONNECTOR: N-TYPE MALE

REVISIONS				
ZONE	REV	DESCRIPTION	DATE	APPROVED
	A	CONVERT TO BEC FORMAT	DMR 11-15-02	<i>MD</i>



NOTES:

- ☑ 1. PART MUST BE BURR FREE.
- ☑ 2. CHAMFER 1st THREAD.
- ☑ 3. 63 MICROINCH UNLESS OTHERWISE SPECIFIED.
- ☐ 4. PER BPS _____.
- ☑ 5. .005 RADIUS ON ALL INSIDE & OUTSIDE CORNERS UNLESS OTHERWISE SPECIFIED.

UNLESS OTHERWISE SPECIFIED DIMENSIONS ARE IN INCHES TOLERANCES ARE:	MILLIMETERS .X = ±.4 .XX = ±.12
FRACTIONS DECIMALS ANGLES ± 1/64 .XX = ±.010 ± 30' .XXX = ±.005	
DO NOT SCALE DRAWING	

THIS DRAWING IS THE PROPERTY OF THE BIRD ELECTRONIC CORPORATION. THE DESIGNS AND SPECIFICATIONS DISCLOSED HEREON ARE PROPRIETARY AND SHALL NOT BE REPRODUCED, NOR COPIED, NOR USED AS THE BASIS FOR THE MANUFACTURE OR SALE OF APPARATUS OR DEVICES WITHOUT THEIR EXPRESS WRITTEN CONSENT.



MATERIAL	APPROVALS	DATE	TITLE			
	D.M.RINK	11-15-02	TERMINATION SUB-ASS'Y CONDUCTION COOLED, 150W			
FINISH	CHECKED		SIZE	FSCM NO.	DWG. NO.	REV
	APPROVED <i>MD</i>	1-13-03	B	70998	150-CT-MN-1	A
		AUTOCAD	SCALE	COMM CODE	SHEET	
			1:1	LD1	1 OF 1	